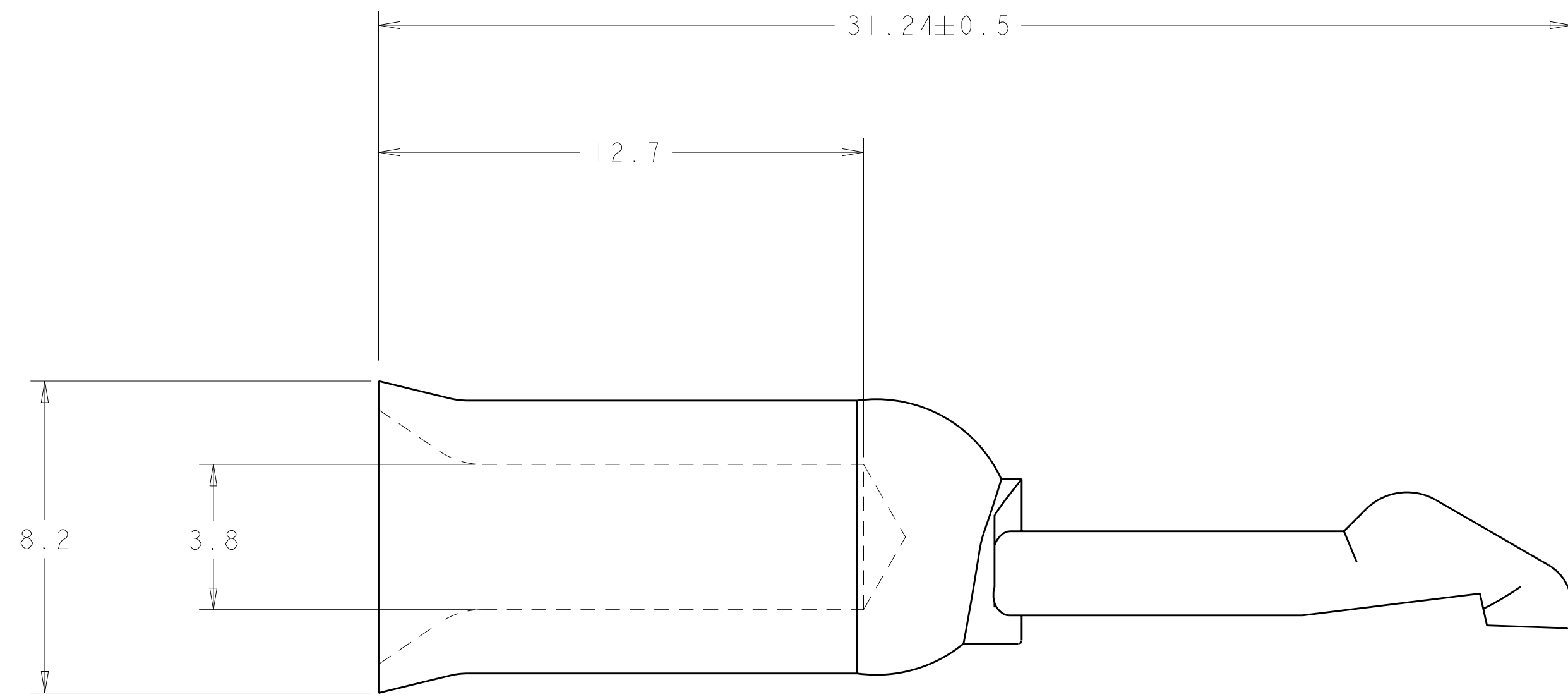
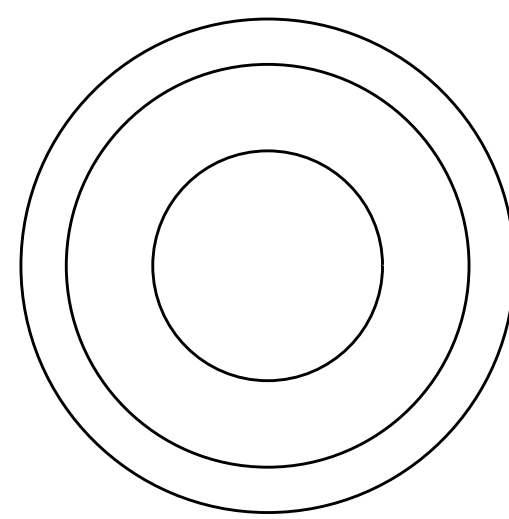
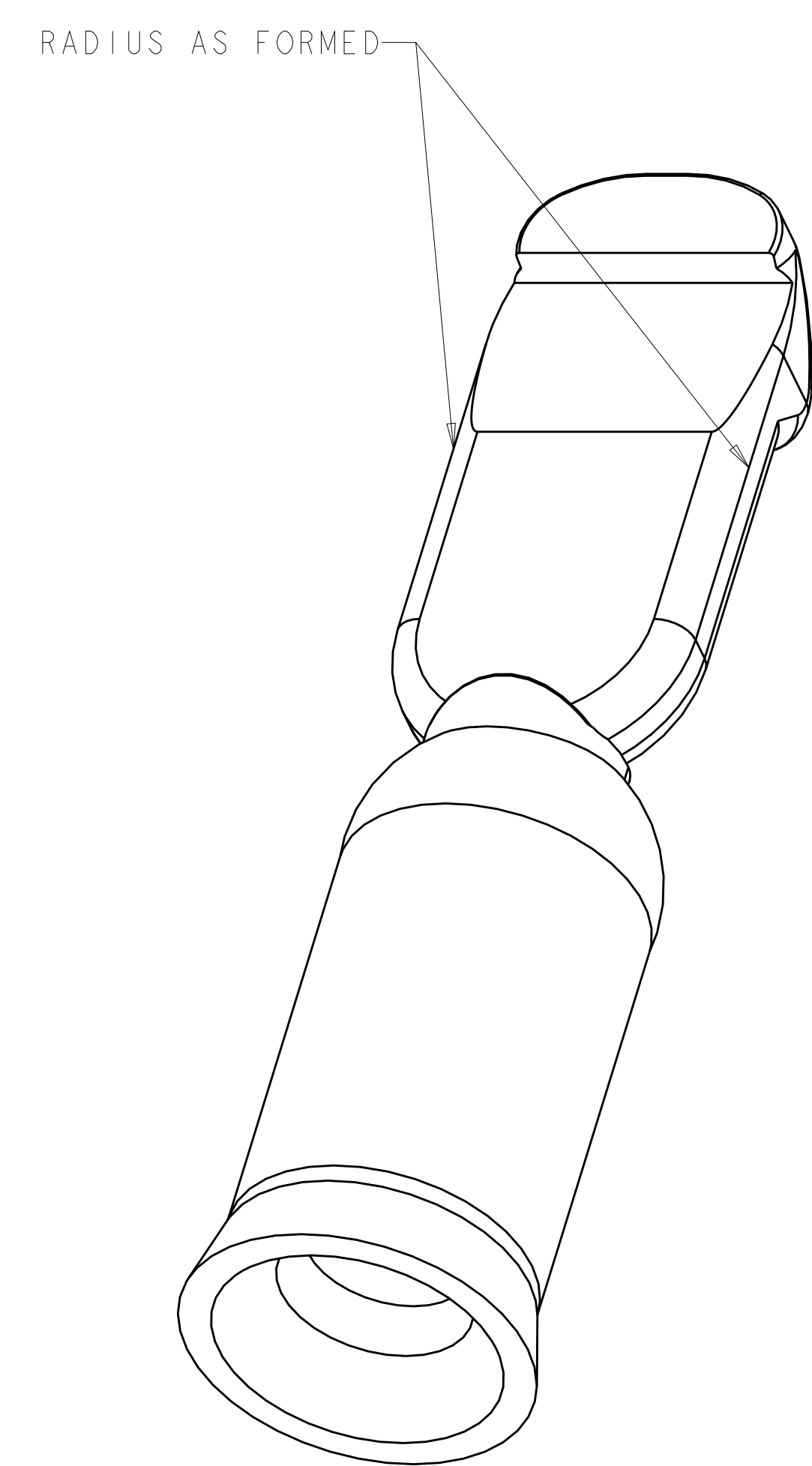
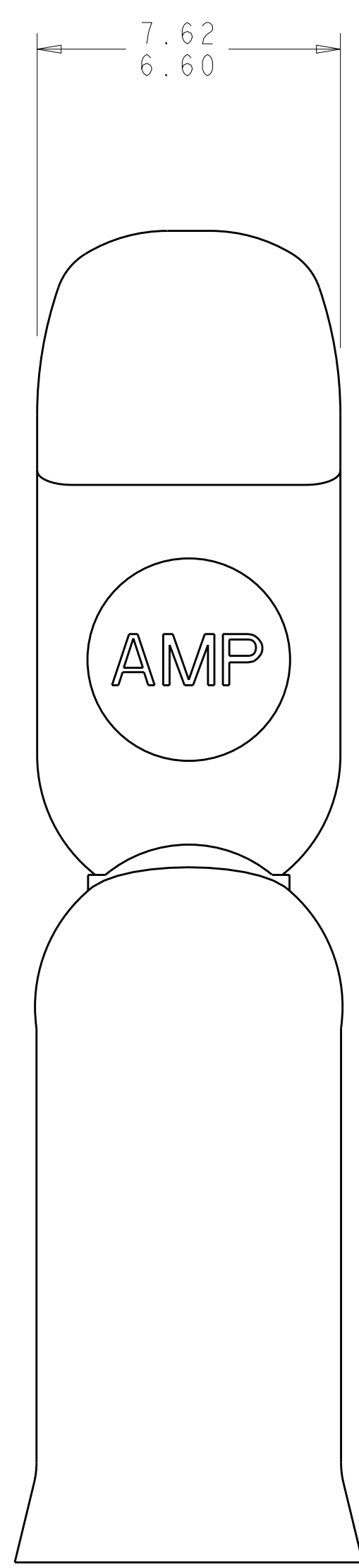


LOC	DIST	REVISIONS			
CM	00	REV	DATE	BY	APPD
		A	12-DEC-03	KW	JE
		B	15APR2006	KW	SR
		BI	23JUL2008	HMR	SR



1. MATERIAL: COPPER
2. PLATING: SILVER
3. THIS PRODUCT HAS PASSED VERIFICATION AND AGENCY APPROVALS TESTING AND IS COMPONENT RECOGNIZED PER UL 1977 AND CSA 22.2. TYCO ELECTRONICS PRODUCT QUALIFICATION TESTING IS NOT YET COMPLETE.

647879-1  
PART NO

**METRIC**

<small>THIS DRAWING IS UNPUBLISHED. RELEASED FOR PUBLICATION BY TYCO ELECTRONICS CORPORATION. ALL RIGHTS RESERVED.</small>		DWN: R. WHITAKER 05-FEB-04 CHK: J. ELLIS 05-FEB-04 APVD: J. ELLIS 05-FEB-04	Tyco Electronics Harrisburg, PA 17105-3608
DIMENSIONS: mm 	TOLERANCES UNLESS OTHERWISE SPECIFIED: 9 PLC ± 1 PLC ± 3 PLC ±0.13 4 PLC ± ANGLES ±5	NAME: CONTACT, 10-12 AWG, AMP POWER SERIES 50 / 75 PRODUCT SPEC: APPLICATION SPEC:	SIZE: A11 CAGE CODE: 00779 DRAWING NO: C-647879 RESTRICTED TO:
MATERIAL: -	FINISH: -	WEIGHT: -	SCALE: 8:1 SHEET 1 OF 1 REV: BI
CUSTOMER DRAWING			